

Service
Service
Service



Service Manual

TABLE OF CONTENTS

	Page
Specifications	1
Set Block Diagram.....	2-1
Set Wiring Diagram	2-2
Main/CD Board	3
Power AMP Board	4
Rectifier Board.....	5
Key Board.....	6
Turner & USB Jack & Aux Jack Board	7
Set Mechanical Exploded View & Parts List.....	8



© Copyright 2009 Philips Consumer Electronics B.V. Eindhoven, The Netherlands
All rights reserved. No part of this publication may be reproduced, stored in a retrieval system or transmitted, in any form or by any means, electronic, mechanical, photocopying, or otherwise without the prior permission of Philips.

Published by SL 0918 Service Audio

Printed in The Netherlands

Subject to modification

GB 3141 785 34061



Version 1.1



PHILIPS

SPECIFICATIONS

Dimensions (W x H x D)	348 x 127 x 238 mm
Weight	1.7 kg 3.75 pound
Power supply	DC 9V 1.5 A AC 220-240V
Power consumption	Active <12 W
Power output	2 x 1 W RMS
Operating temperature range	-10 °C - 50 °C 14 °F -122 °F

USB playability information

Compatible USB devices:

- USB flash memory (USB 2.0 or USB1.1)
- USB flash players (USB 2.0 or USB1.1)
- memory cards (requires an additional card reader to work with this apparatus)

Supported formats:

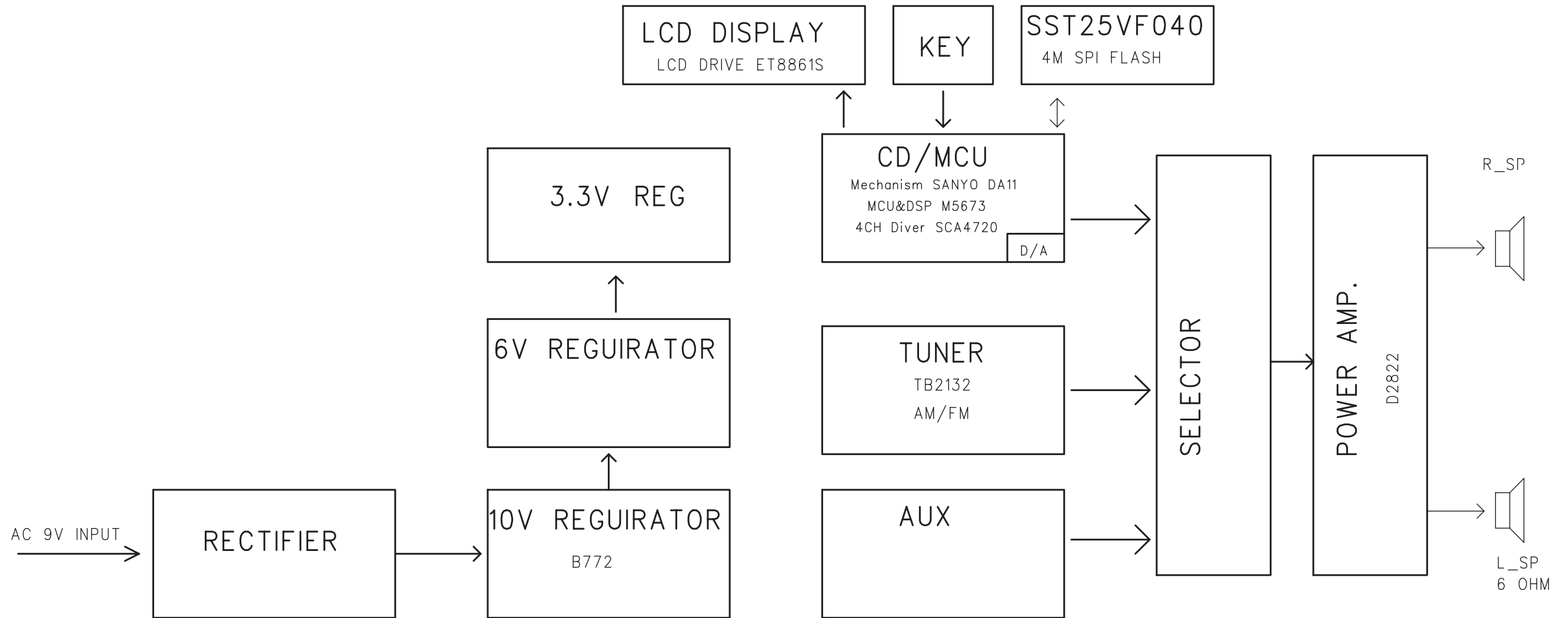
- USB or memory file format FAT12, FAT16, FAT32 (sector size: 512 bytes)
- MP3 bit rate (data rate): 32-320 Kbps and variable bit rate

- WMA v9 or earlier
- Directory nesting up to a maximum of 8 levels
- Number of albums/ folders: maximum 99
- Number of tracks/titles: maximum 999
- ID3 tag v2.0 or later
- File name in Unicode UTF8 (maximum length: 128 bytes)

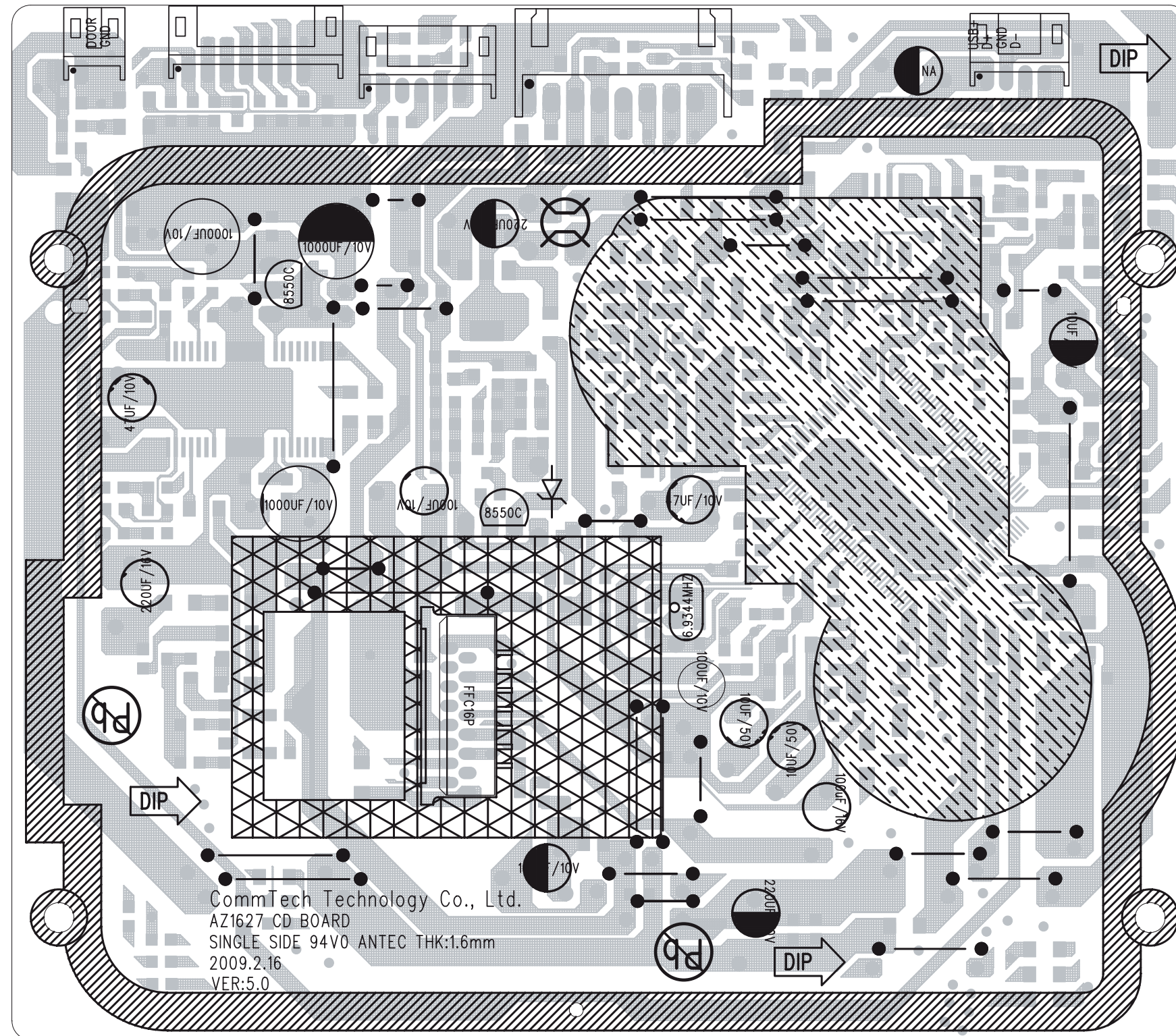
Unsupported formats:

- Empty albums: an empty album is an album that does not contain MP3/WMA files, and is not be shown in the display.
- Unsupported file formats are skipped. For example, Word documents (.doc) or MP3 files with extension .dlf are ignored and not played.
- AAC, WAV, PCM audio files
- DRM protected WMA files (.wav, .m4a, .m4p, .mp4, .aac)
- WMA files in Lossless format

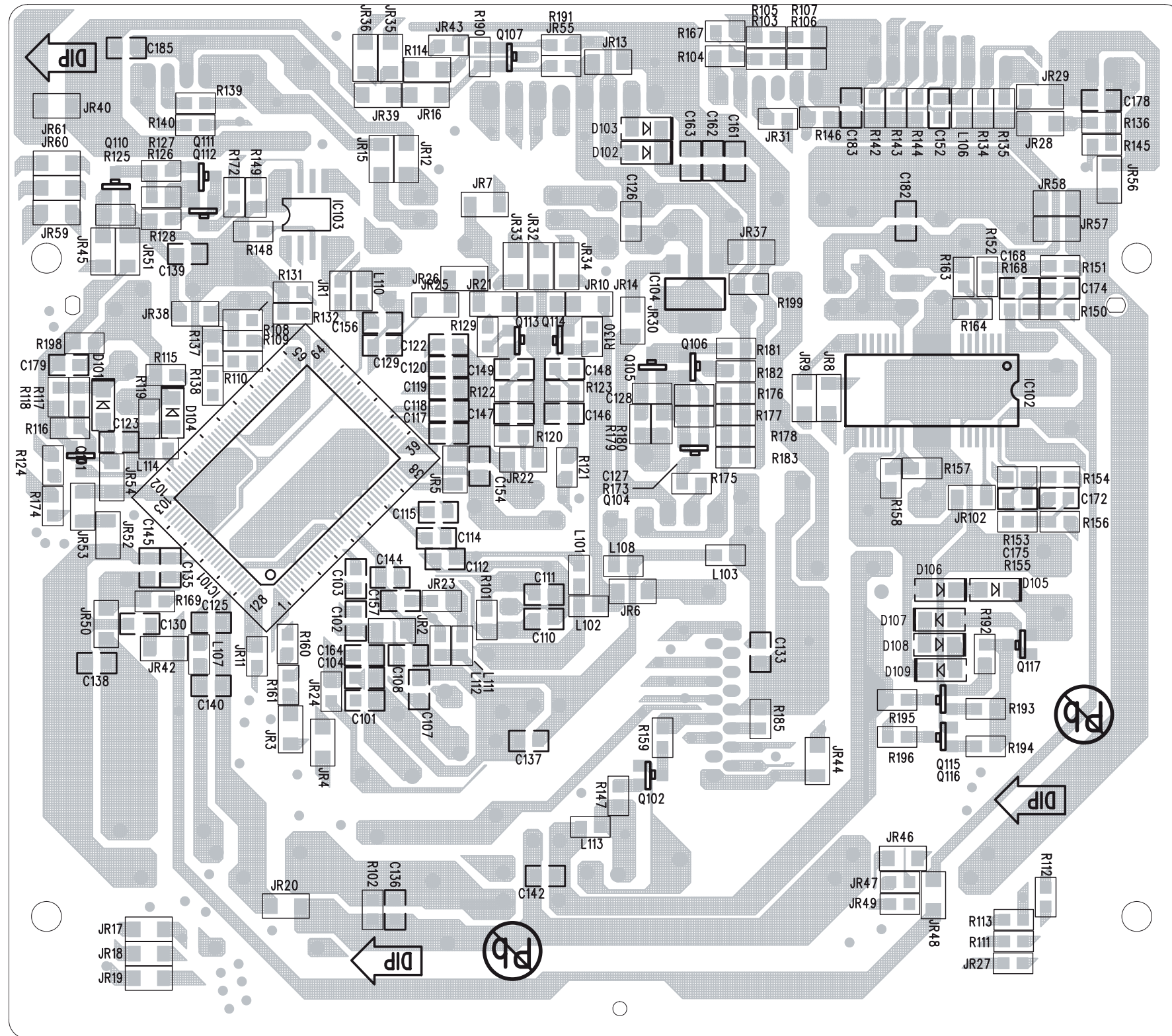
SET BLOCK DIAGRAM



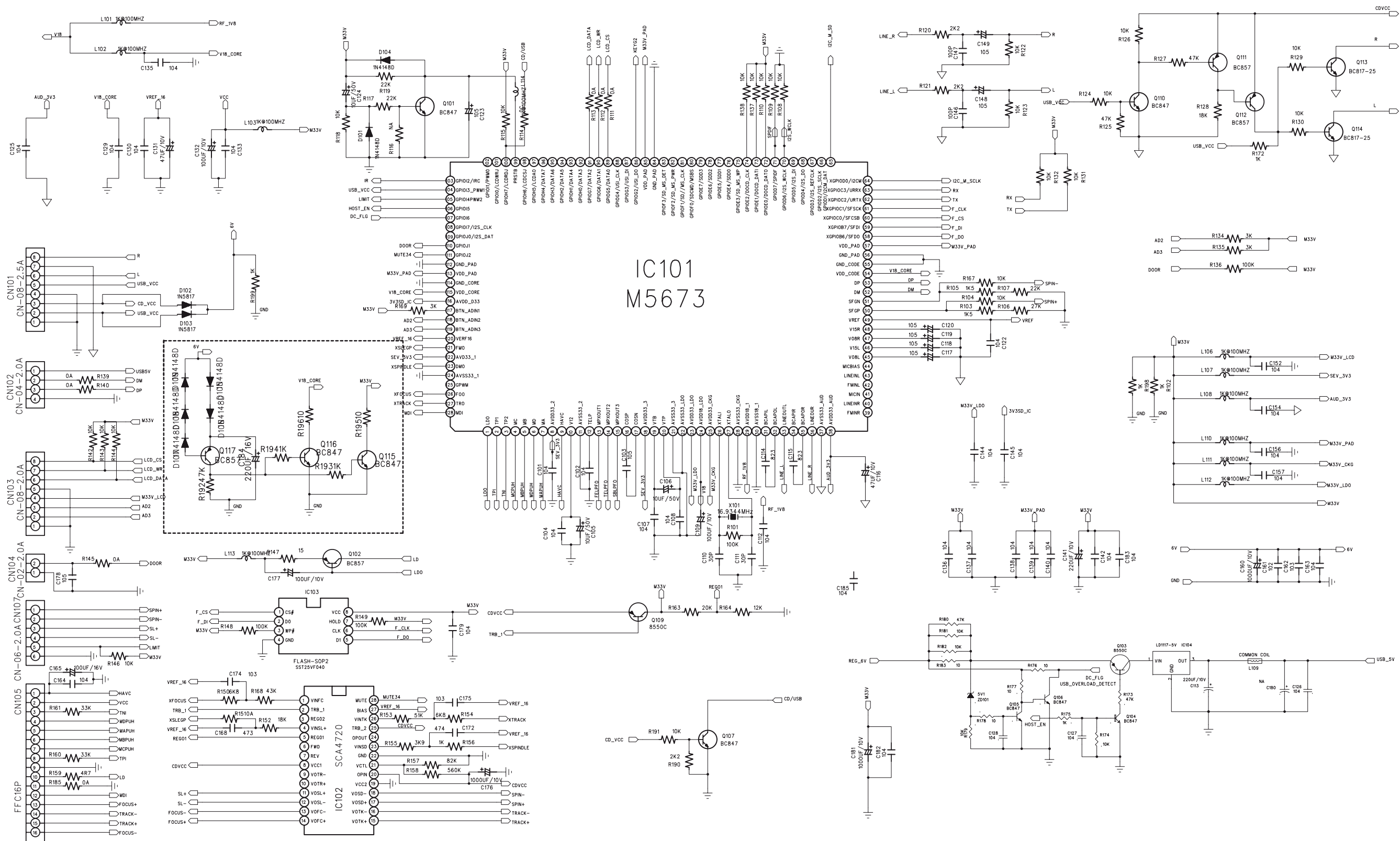
PCB LAYOUT - MAIN/CD BOARD (TOP VIEW)



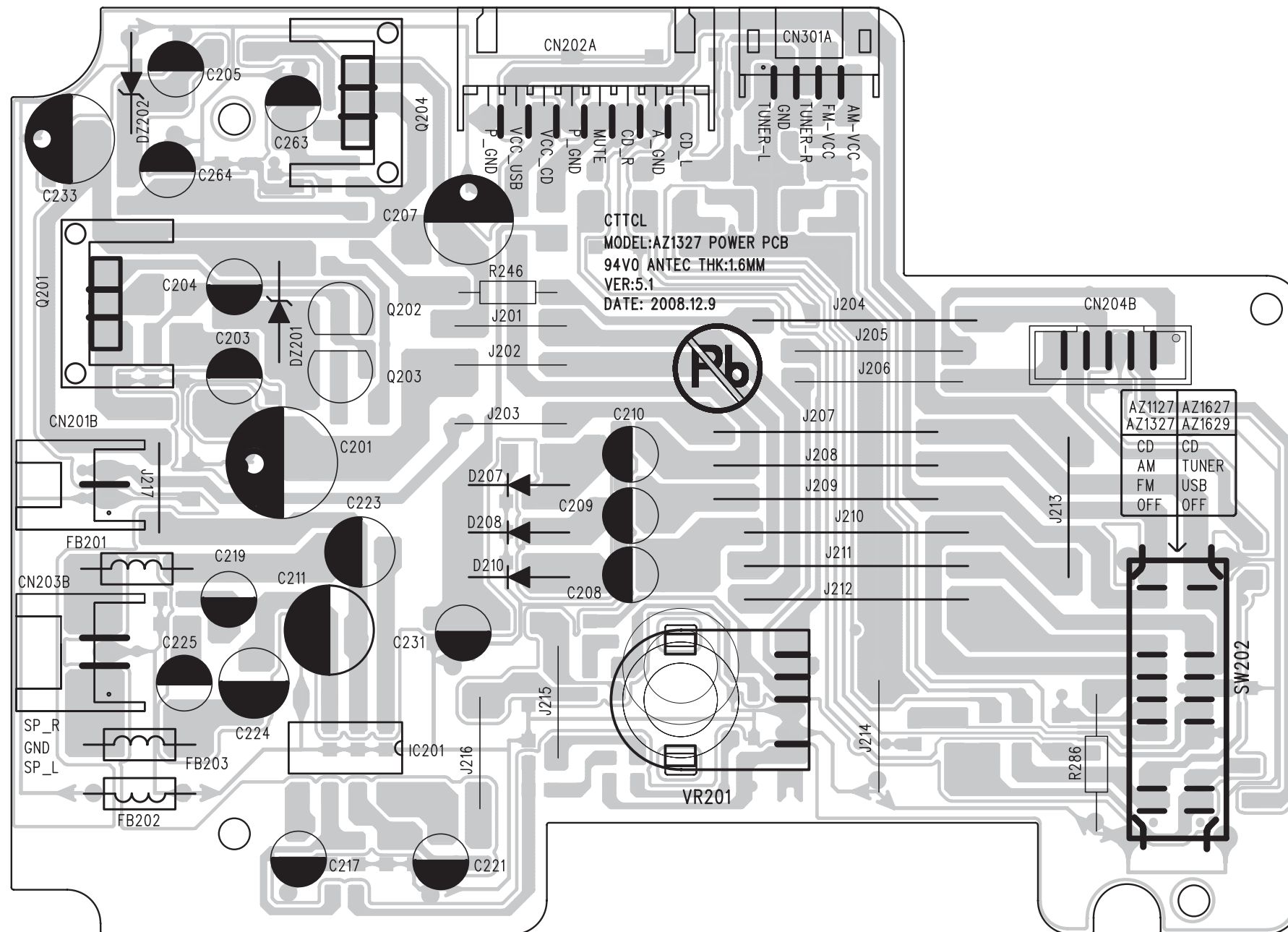
PCB LAYOUT - MAIN/CD BOARD (BOTTOM VIEW)



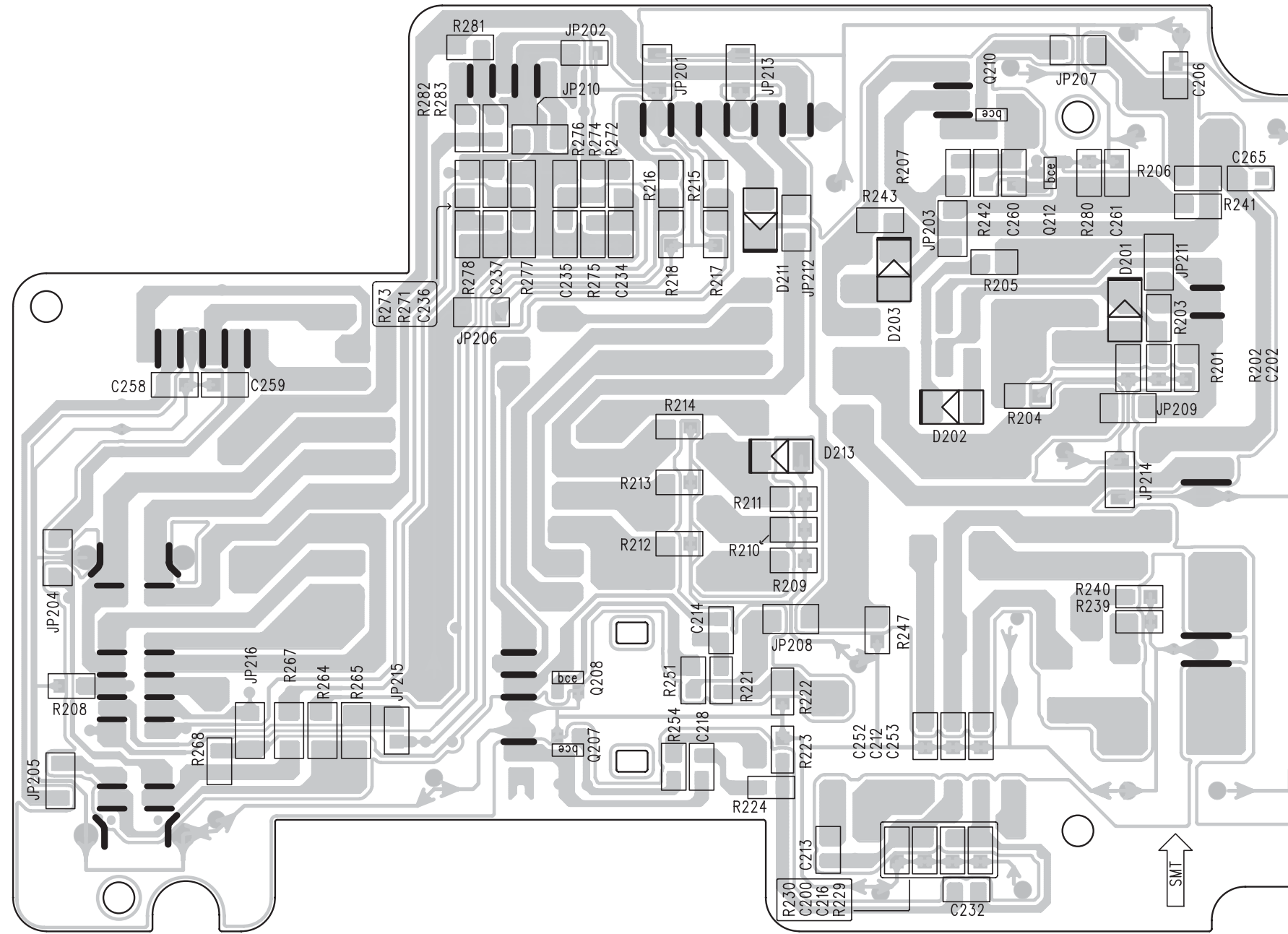
CIRCUIT DIAGRAM - MAIN/CD BOARD



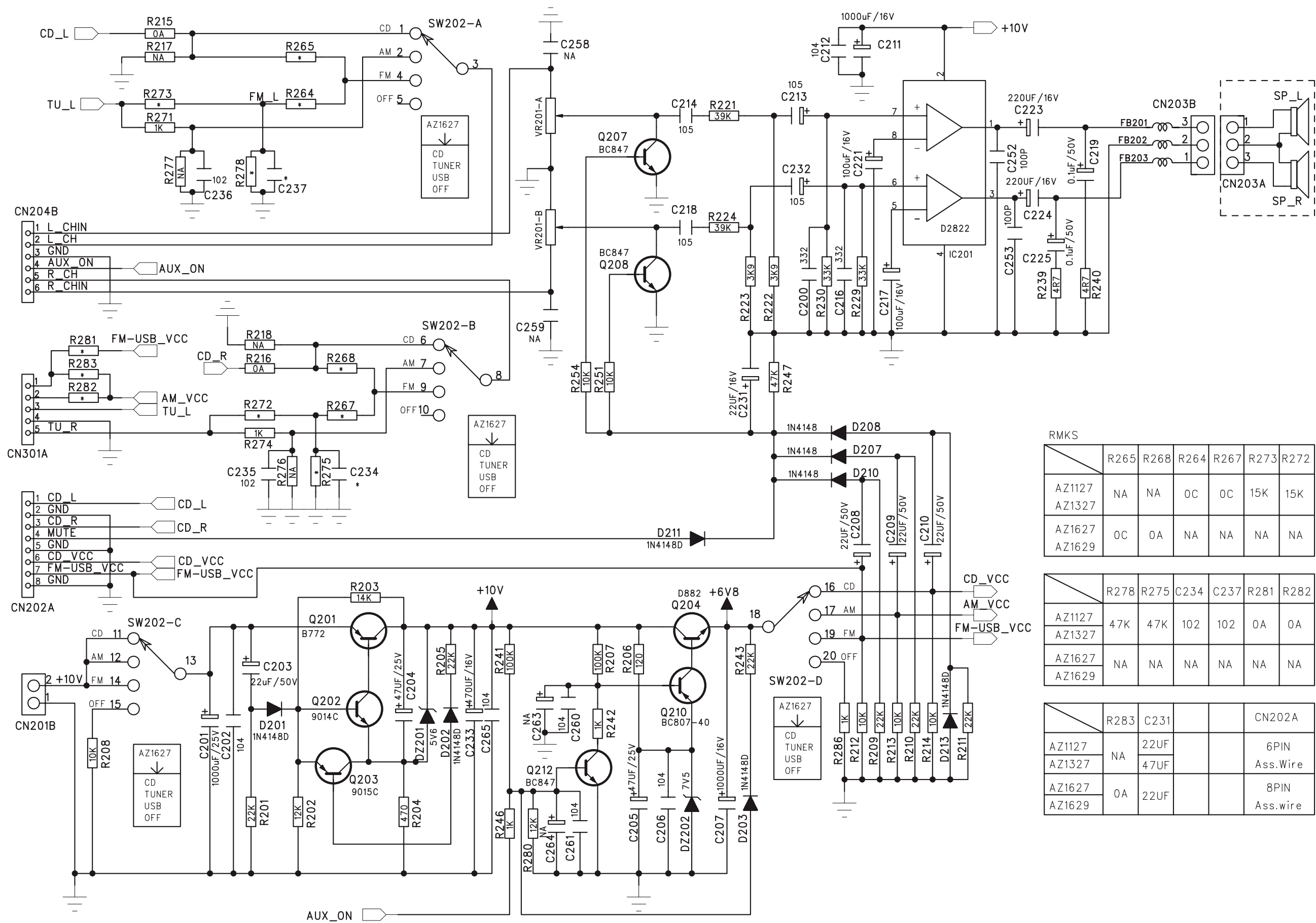
PCB LAYOUT - POWER AMP BOARD (TOP VIEW)



PCB LAYOUT - POWER AMP BOARD (BOTTOM VIEW)



CIRCUIT DIAGRAM - POWER AMP BOARD



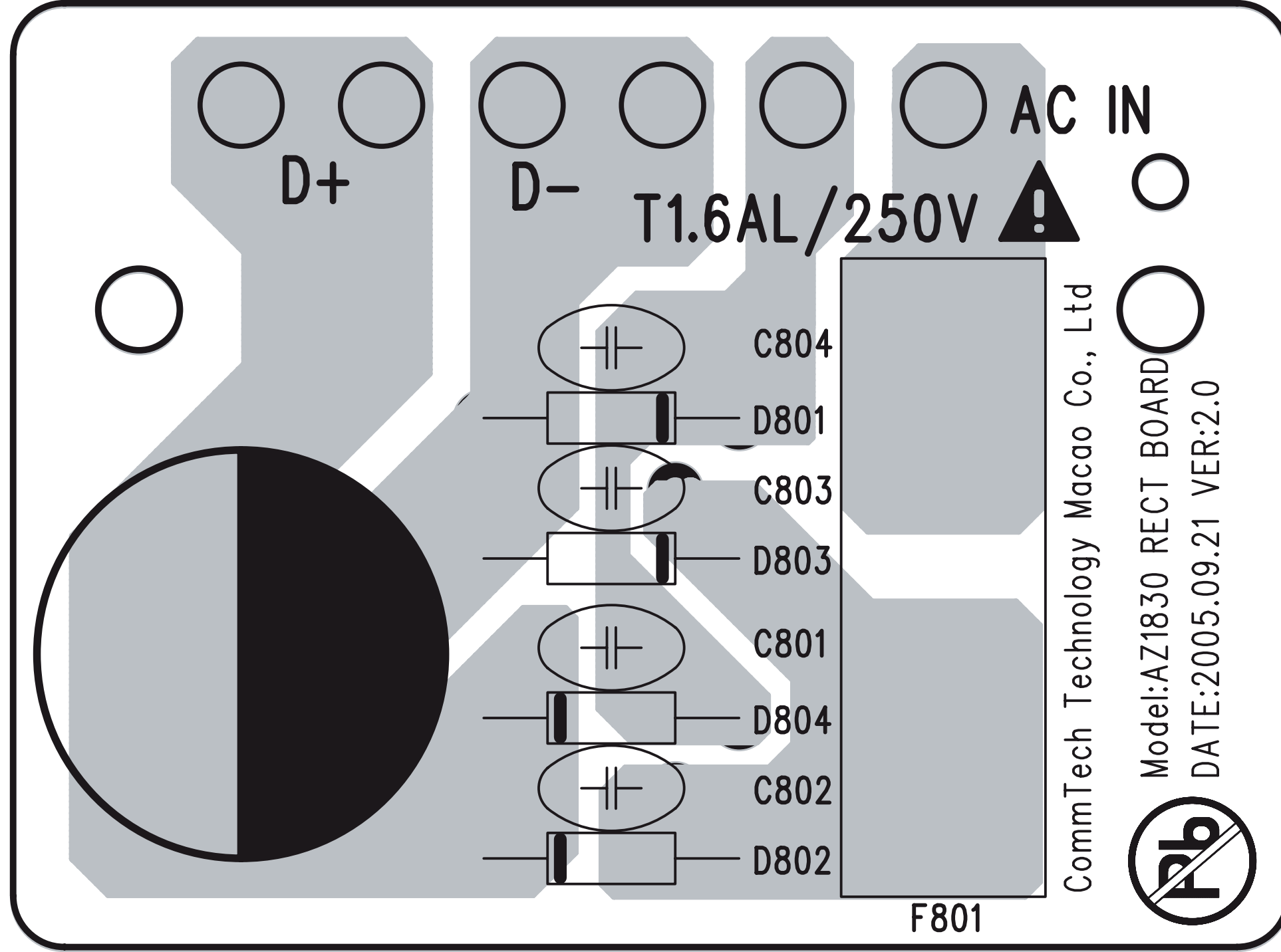
RMKS

	R265	R268	R264	R267	R273	R272
AZ1127	NA	NA	0C	0C	15K	15K
AZ1327	NA	NA	0C	0C	15K	15K
AZ1627	0C	0A	NA	NA	NA	NA
AZ1629	0C	0A	NA	NA	NA	NA

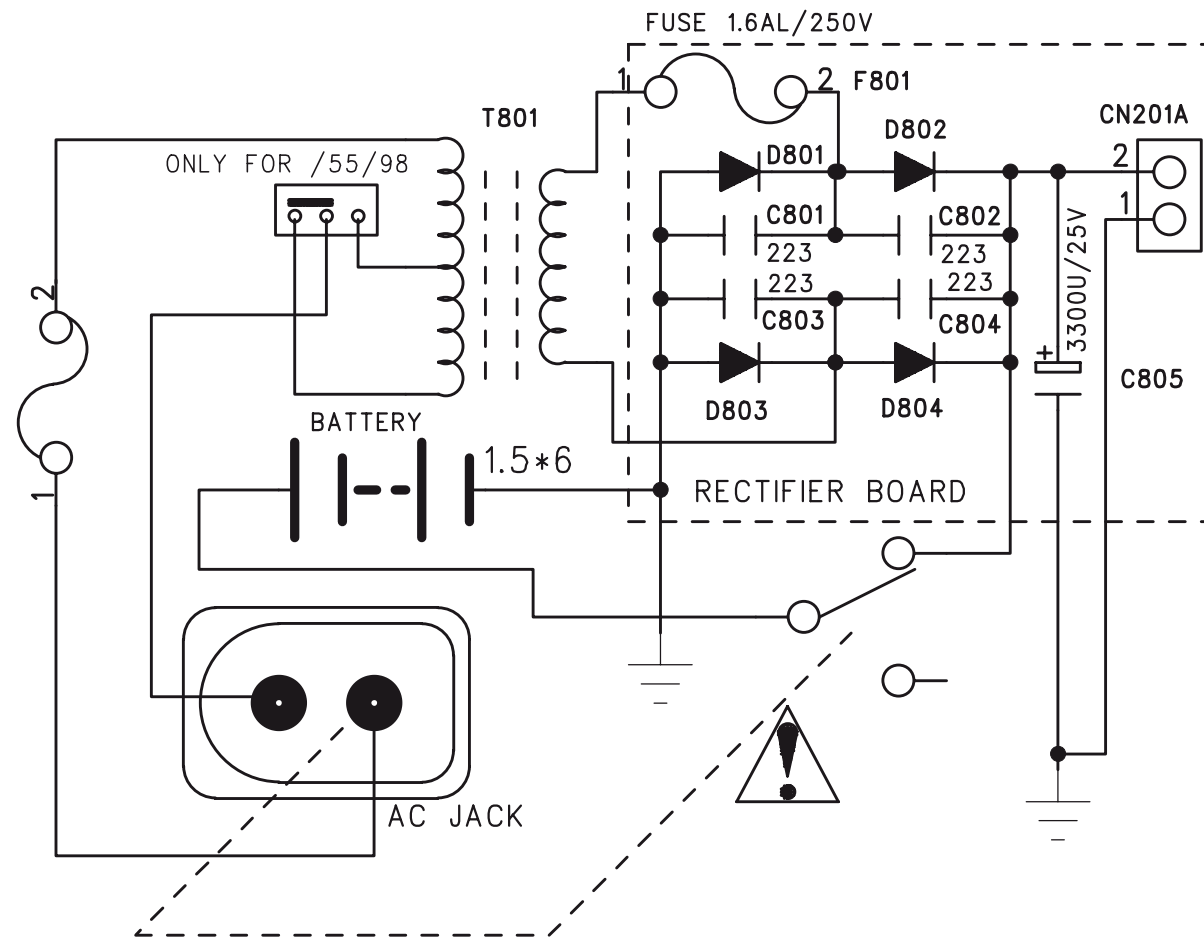
	R278	R275	C234	C237	R281	R282
AZ1127	47K	47K	102	102	0A	0A
AZ1327	47K	47K	102	102	0A	0A
AZ1627	NA	NA	NA	NA	NA	NA
AZ1629	NA	NA	NA	NA	NA	NA

	R283	C231		CN202A
AZ1127	NA	22UF		6PIN
AZ1327	NA	47UF		Ass.Wire
AZ1627	0A	22UF		8PIN
AZ1629	0A	22UF		Ass.wire

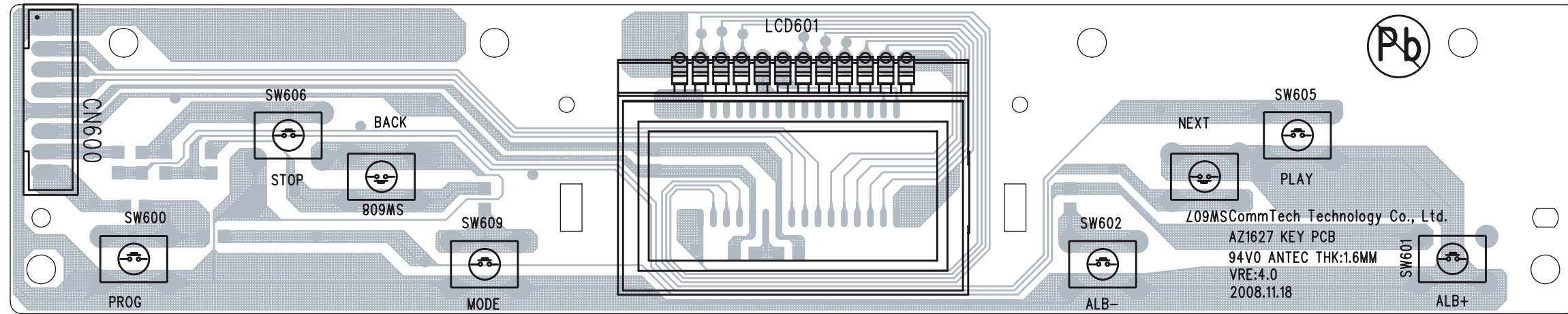
PCB LAYOUT - RECTIFIER BOARD



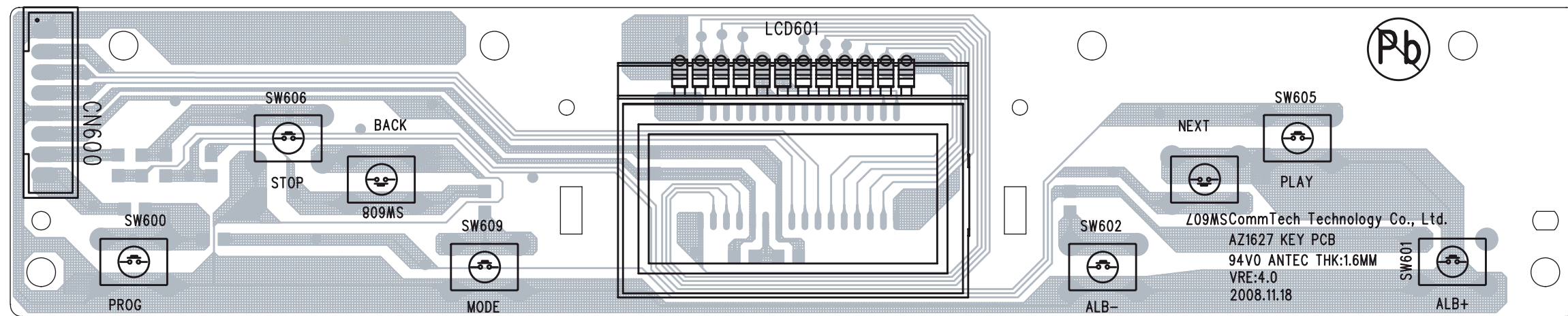
CIRCUIT DIAGRAM - RECTIFIER BOARD



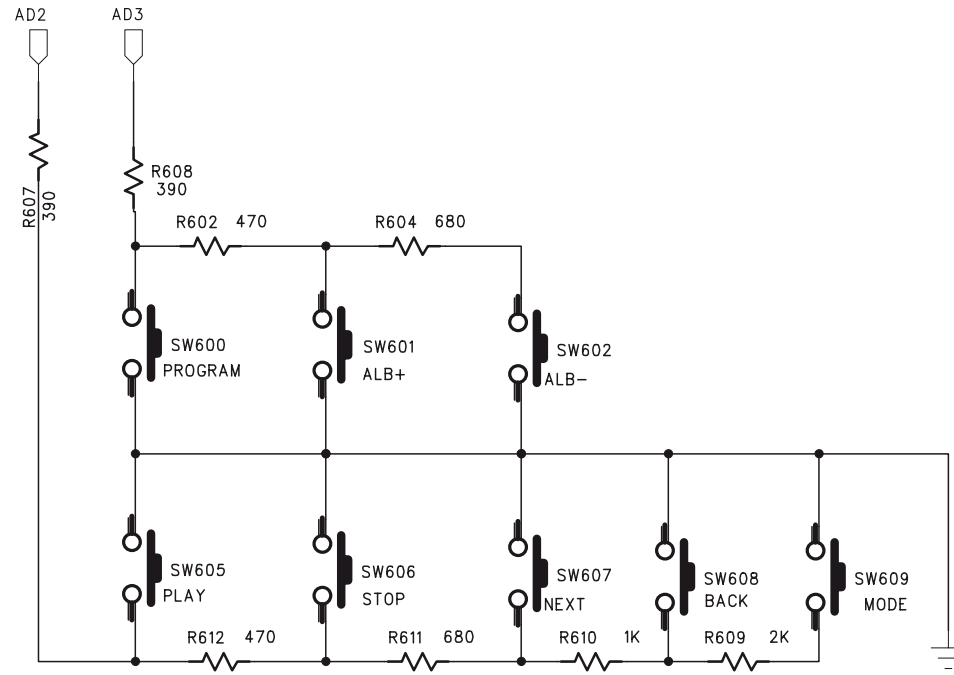
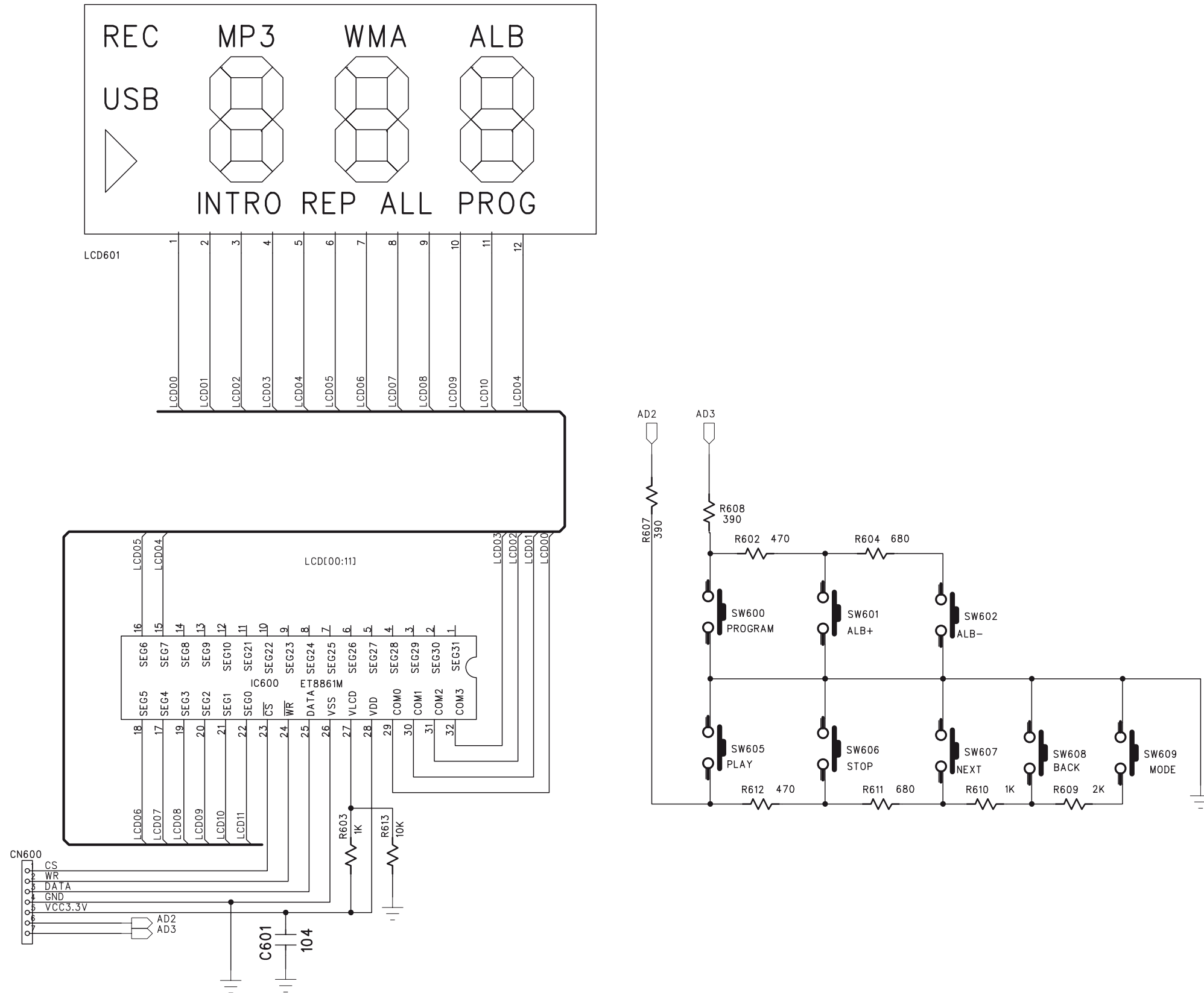
PCB LAYOUT - KEY BOARD (TOP VIEW)



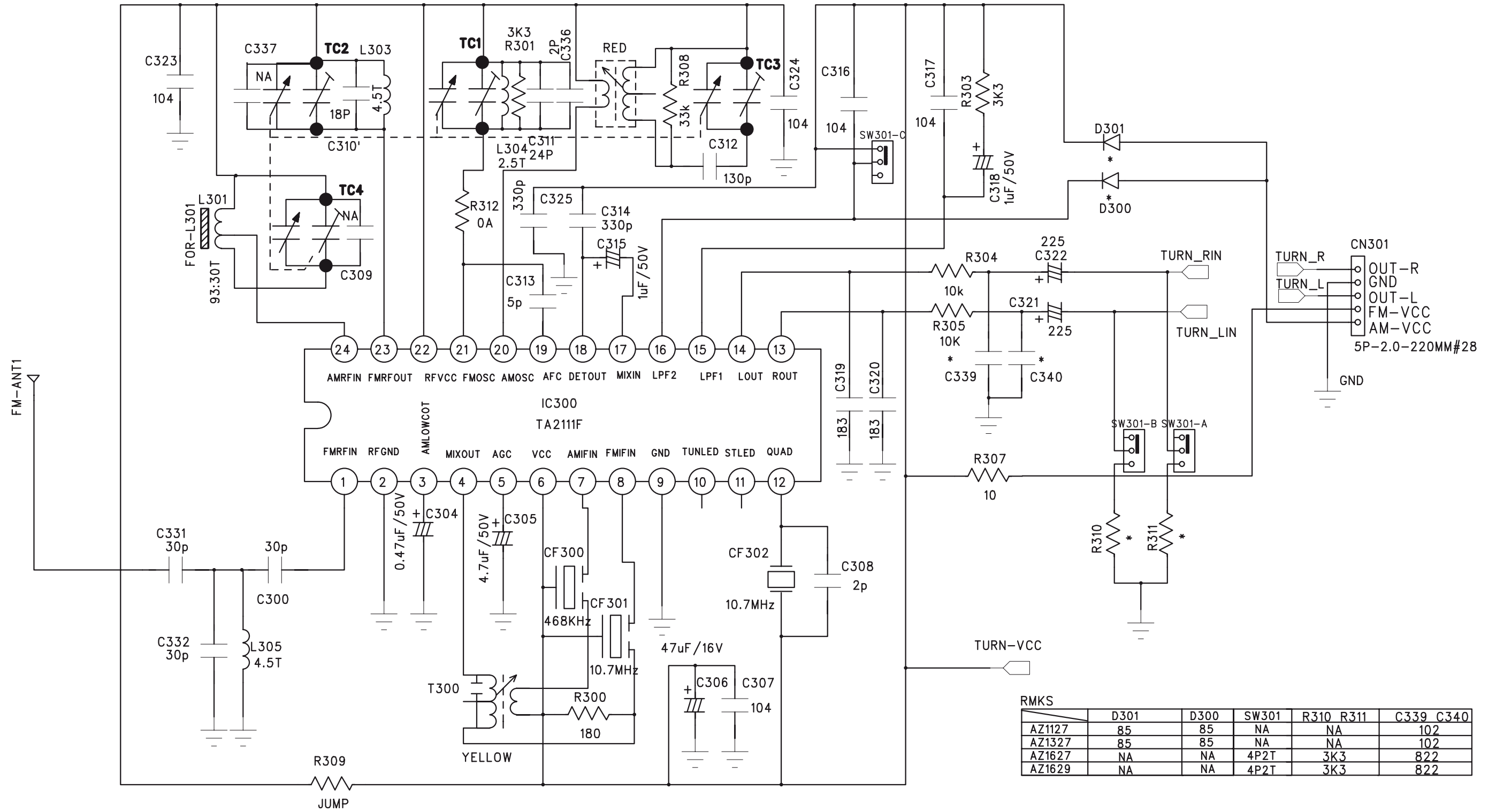
PCB LAYOUT - KEY BOARD (BOTTOM VIEW)



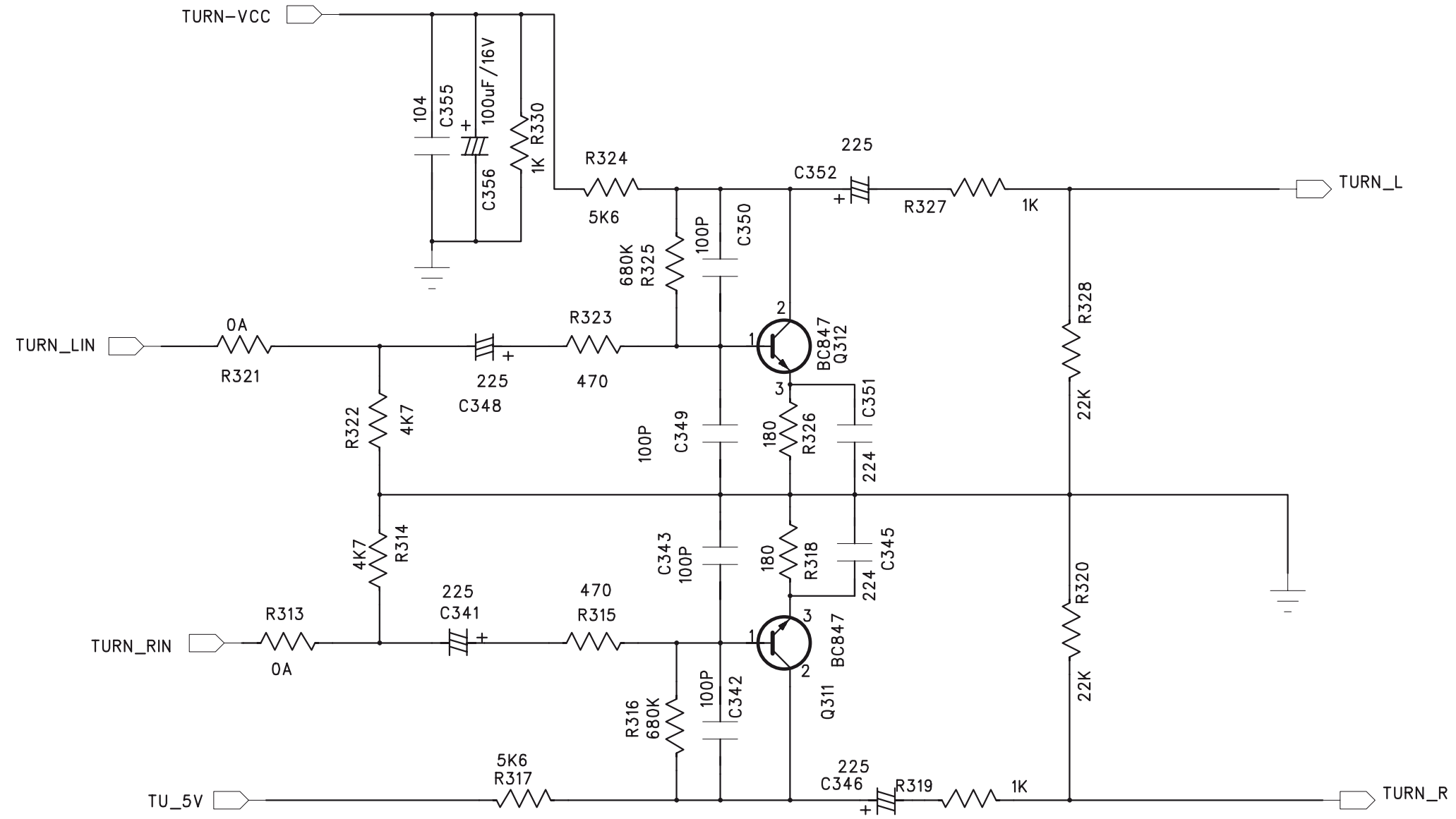
CIRCUIT DIAGRAM - KEY BOARD



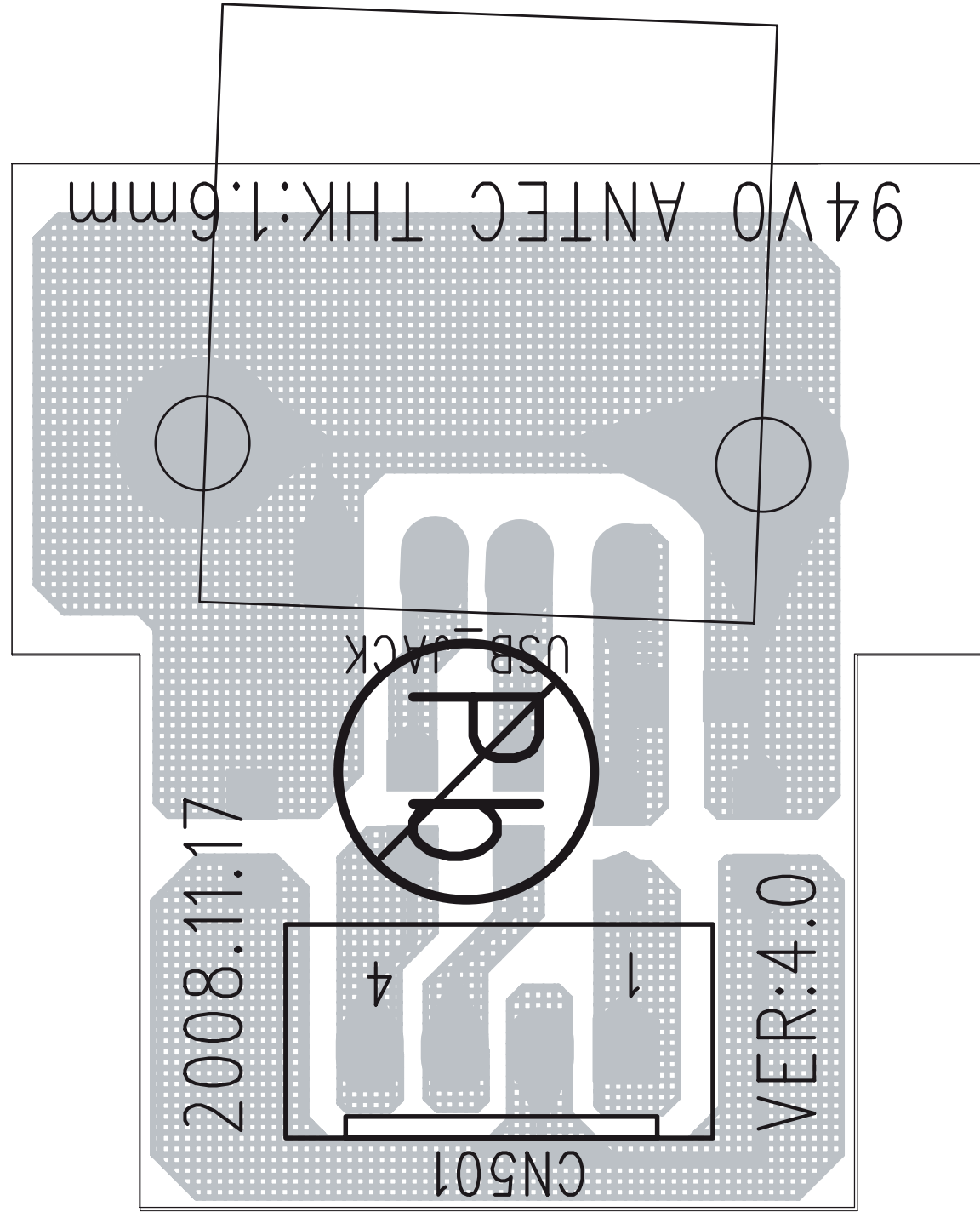
**CIRCUIT DIAGRAM - TUNER BOARD
ONLY FOR REFERENCE**



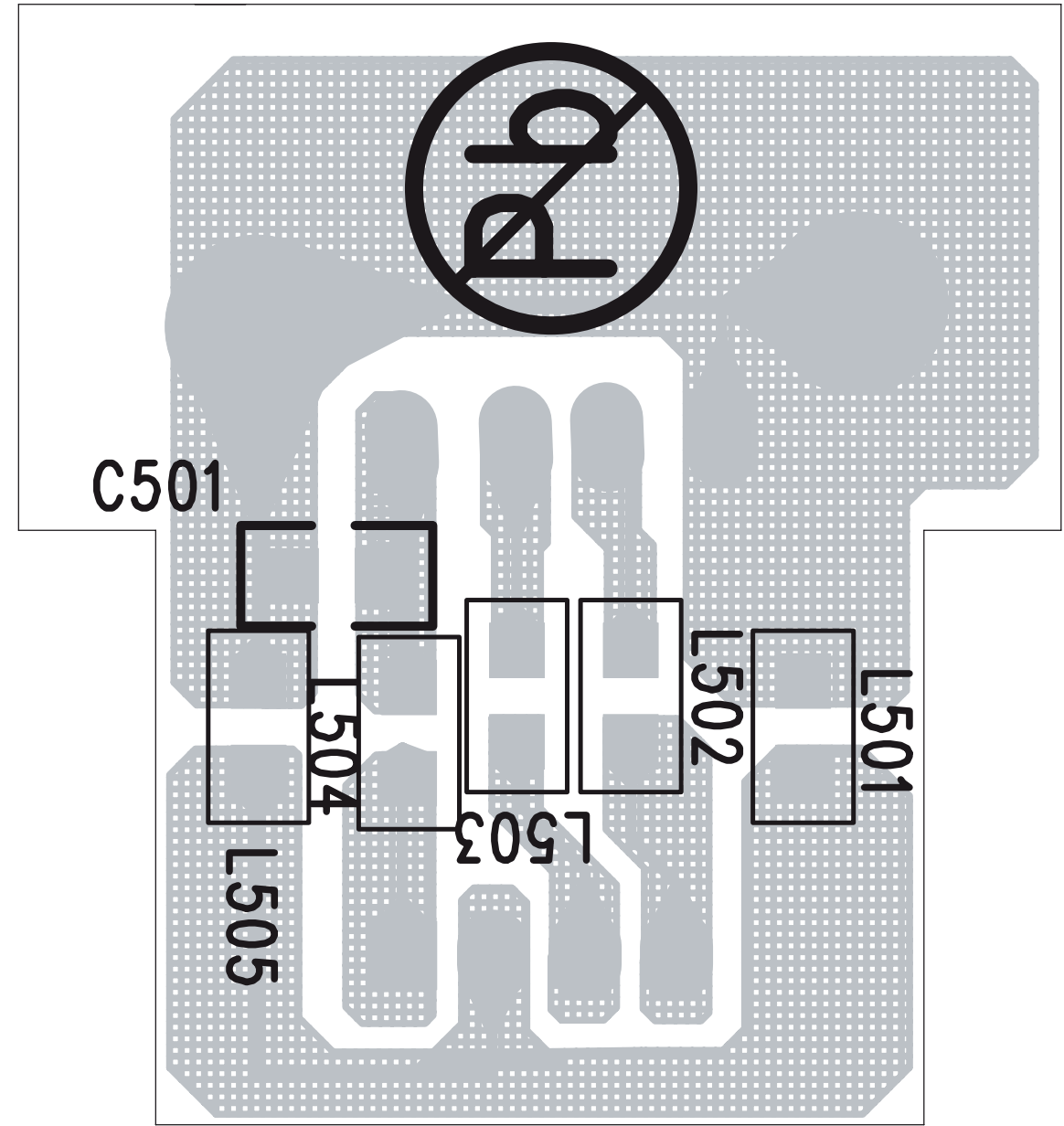
CIRCUIT DIAGRAM - TUNER BUFFER ONLY FOR REFERENCE



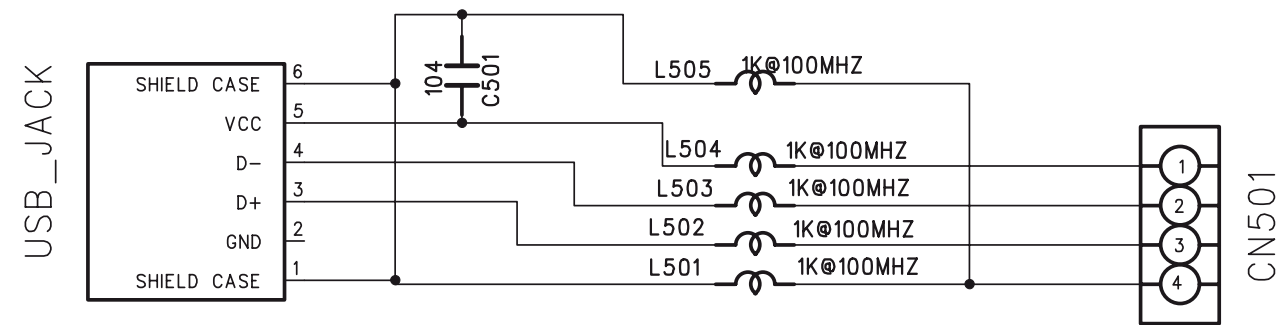
LAYOUT DIAGRAM - USB JACK BOARD
(TOP VIEW)



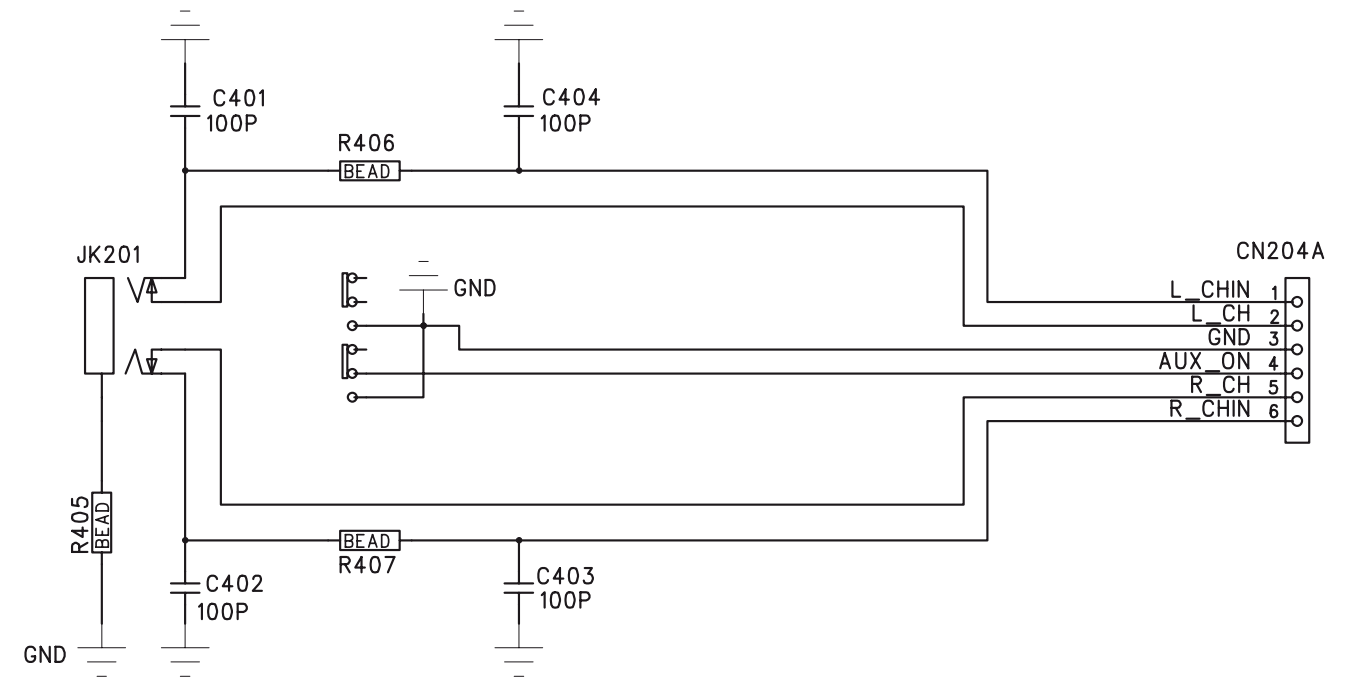
LAYOUT DIAGRAM - USB JACK BOARD
(BOTTOM VIEW)



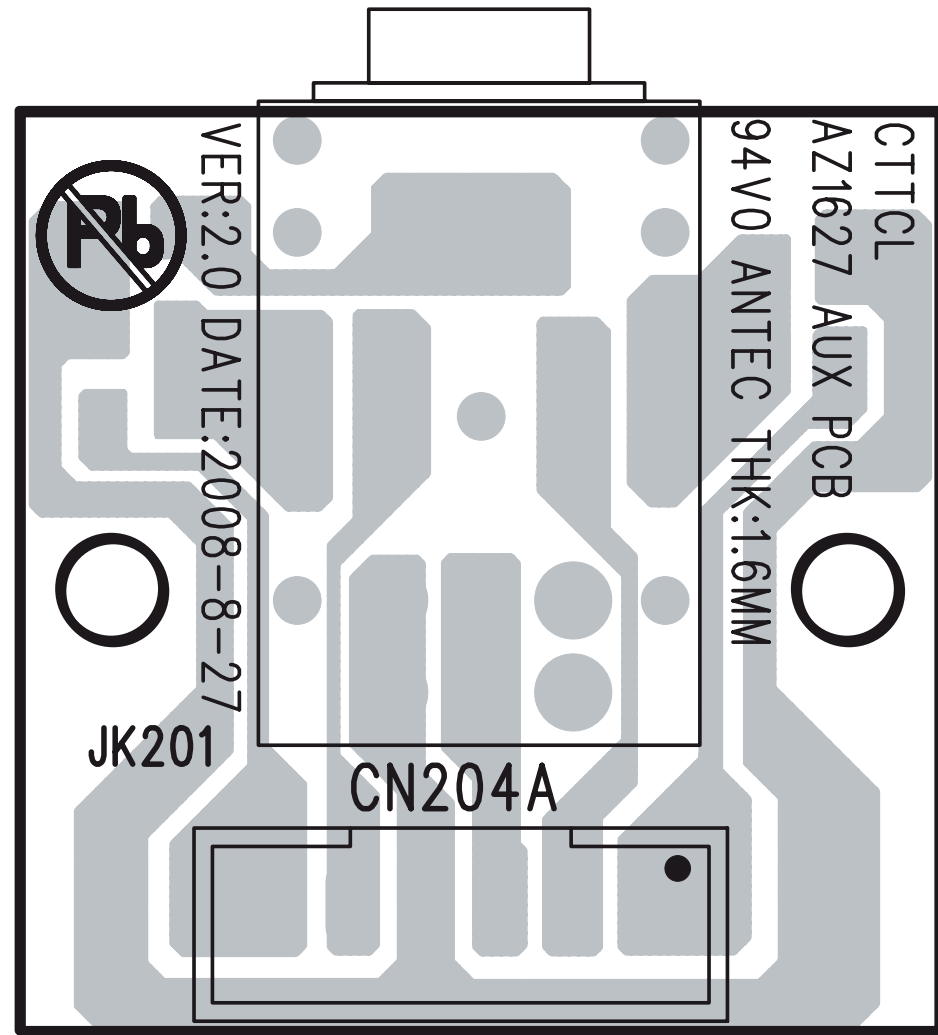
CIRCUIT DIAGRAM - USB JACK BOARD



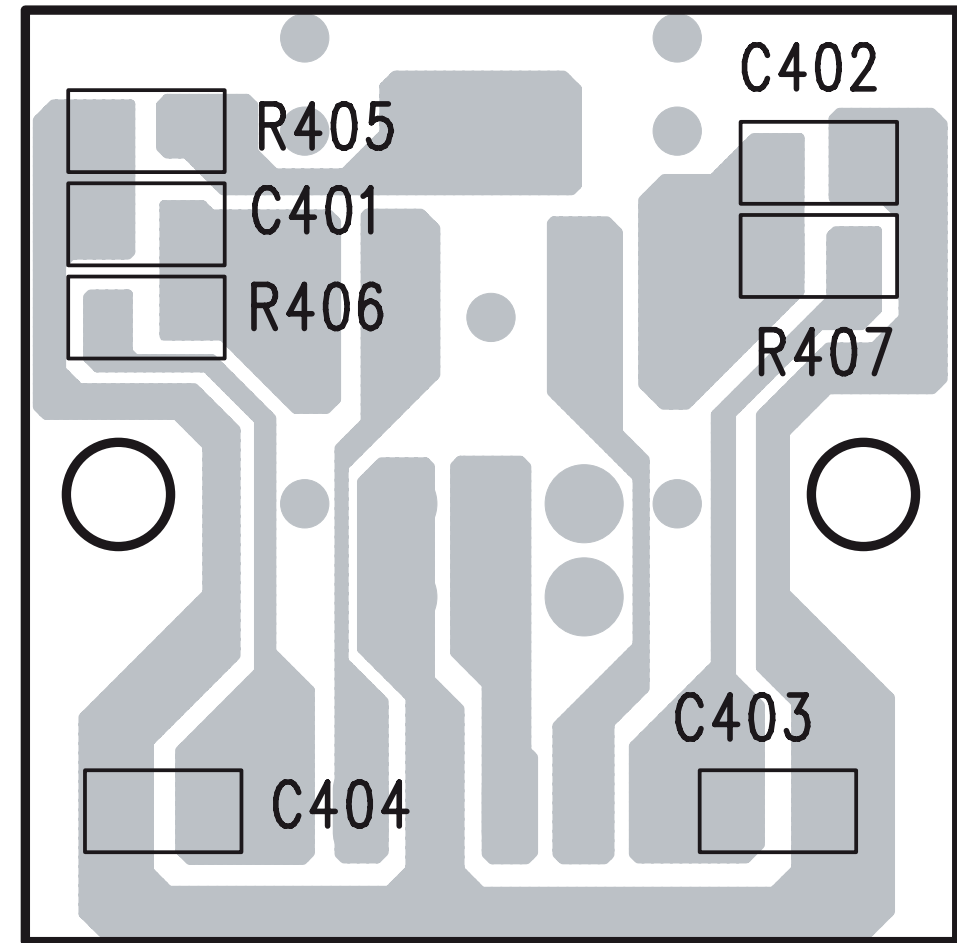
CIRCUIT DIAGRAM - AUX JACK BOARD



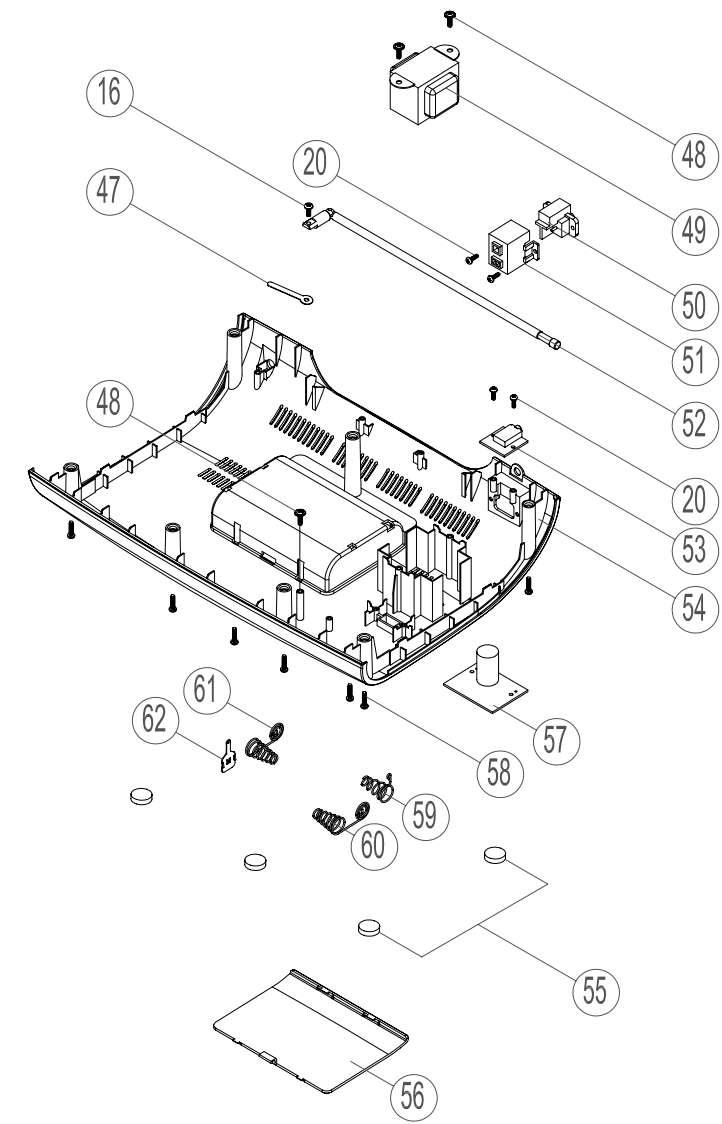
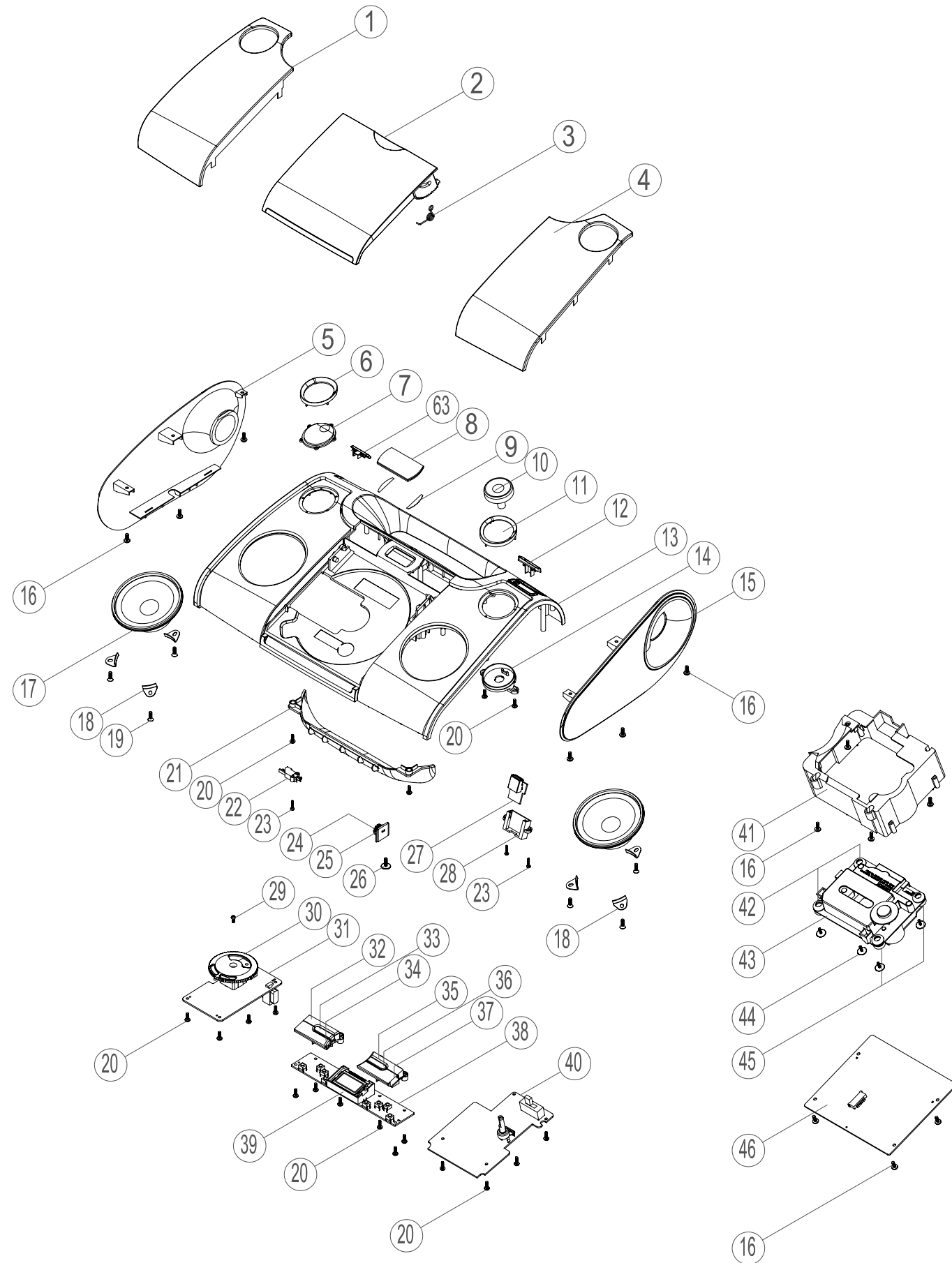
LAYOUT DIAGRAM - AUX JACK BOARD
(TOP VIEW)



LAYOUT DIAGRAM - AUX JACK BOARD
(BOTTOM VIEW)



SET MECHANICAL EXPLODED VIEW



MECHANICAL & ACCESSORIES PARTS LIST

Loc.	12NC	Description
MAIN UNIT		
2	996510025097	CD DOOR
6	996510025099	TUNING RING
7	996510021517	DIAL LENS
8	996510021535	LCD LENS
10	996510025088	VOLUME KNOB
11	996510025098	VOLUME RING
12	996510021522	SOURCE SLIDE KNOB
13	996510025086	TOP CABINET
14	996510021544	VOLUME KNOB BRACKET
15	996510021507	RIGHT CABINET
16	996510021554	LEFT CABINET
17	996510000932	77MM SPEAKER 8R 1W 3INCH
21	996510021536	HANDLE COVER
22	996510000933	CD DOOR SWITCH 1P2T
24	996510000931	CD DOOR GEAR
25	994000001409	CD DOOR GEAR HOLDER
30	996510021511	TUNING KNOB
31	313810360791	TUNER PCB
32	996510025091	STOP KNOB
33	996510025095	LEFT KNOB
34	996510025093	PROG KNOB
35	996510025092	PLAY/PAUSE KNOB
36	996510025096	RIGHT KNOB
37	996510025094	ALBUM KNOB
38	996510025082	KEY BOARD
39	996510025151	LCD BRACKET
40	996510025081	POWER AMP BOARD
41	996510021528	CD MECHAMISM COVER
43	994000003392	CD MECHANISM DA11B3VF (SANYO)
46	996510025027	MAIN PCB
49	996500039377	TRASFO EI-41 230V 50Hz 9V /73
49	996510018769	TRASFO EI-41 120V 60HZ /96
50	996510016704	2PINS AC SOCKET
51	996510018422	AC SOCKET COVER
52	994000002364	ROD ANTENNA 2 SEC 420MM /73
52	994000003393	ROD ANTENNA 2 SEC 420MM /96
54	996510025087	BOTTOM CABINET
56	996510021537	BATTERY DOOR
57	996510025084	RECTIFIER PCB
63	996510025089	BAND SLIDE KNOB
ACCOIL	996510000876	5 FT VDE APPRROVED POWER CORD /73
ACCOIL	996510025101	5FEET TW POWER CORD 1.5M /96
LINE10	996510021514	FFC CABLE 60MM 16P P1MM

ELECTRICAL PARTS LIST

Loc.	12NC	Description
USB JACK PCB ASSY		
USBJK	996510001071	USB JACK 4P ANGLE TYPE

ELECTRICAL PARTS LIST

Loc.	12NC	Description
KEY PCB ASSY		
IC600	996510025149	IC ET8861M LCD DRIVER
LCD601	996510021538	LCD DISPLAY 6H
SW600	996500039269	TACT SWITCH
SW601	996500039269	TACT SWITCH
SW602	996500039269	TACT SWITCH
SW605	996500039269	TACT SWITCH
SW606	996500039269	TACT SWITCH
SW607	996500039269	TACT SWITCH
SW608	996500039269	TACT SWITCH
POWER AMP PCB ASSY		
DZ201	996510012835	ZENER DIODE 5V6 1/2W (TC5V6)
DZ202	996510011336	ZENER DIODE 7V5 1/2W (TC7V5)
IC201	996510018432	IC D2822N
Q201	996510001414	TRANSISTOR KTB772 (KEC) TAPE
Q203	996510021526	TRANSISTOR KTC-9015C
Q204	996510003717	TRANSISTOR KTD882 (KEC)
R202	996510016717	TRANSISTOR KTC-9014C
R246	996510021532	CARBON RES. 1KR 1/6W J%
R286	996510021532	CARBON RES. 1KR 1/6W J%
MAIN PCB ASSY		
D101	996510010774	DIODE 1N4148 FDLL4148
D102	996510003726	SCHOTTKYBARRIER DIODE PRLL5817
D103	996510003726	SCHOTTKYBARRIER DIODE PRLL5817
D104	996510010774	DIODE 1N4148 FDLL4148
D105	996510010774	DIODE 1N4148 FDLL4148
D106	996510010774	DIODE 1N4148 FDLL4148
D107	996510010774	DIODE 1N4148 FDLL4148
D108	996510010774	DIODE 1N4148 FDLL4148
D109	996510010774	DIODE 1N4148 FDLL4148
IC101	996510021675	IC M5673 128P LQFP
IC102	996510021673	IC SCA4720
IC103	996510025033	IC SST25VF040A PROGRAMMED
IC104	996510003844	IC VOLTAGE REGULATOR
Q101	996510024762	TRANSISTOR KTC9014S
Q103	996510003718	TRANSISTOR KTC-8550C
Q104	996510024762	TRANSISTOR KTC9014S
Q105	996510024762	TRANSISTOR KTC9014S
Q106	996510024762	TRANSISTOR KTC9014S
Q107	996510024762	TRANSISTOR KTC9014S
Q109	996510003718	TRANSISTOR KTC-8550C
Q110	996510024762	TRANSISTOR KTC9014S
Q115	996510024762	TRANSISTOR KTC9014S
Q116	996510024762	TRANSISTOR KTC9014S
X101	996510011310	CERAMIC RESONATOR ZTA16.9344MHZ
ZD101	994000005744	ZENER DIODE 5V1 1/2W
AUX PCB ASSY		
JK201	996510003840	3.5MM STEREO JACK

ELECTRICAL PARTS LIST

Loc.	12NC	Description
RECTIFIER PCB ASSY		
C805	994000003217	AL.E.CAP 3300UF 25V
F801	996510018427	FUSE 1.6A 250V D5X20MM GLASS

Note: Only these parts mentioned in the list are normal service parts.